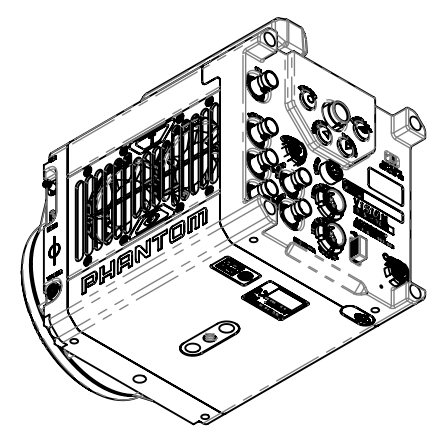
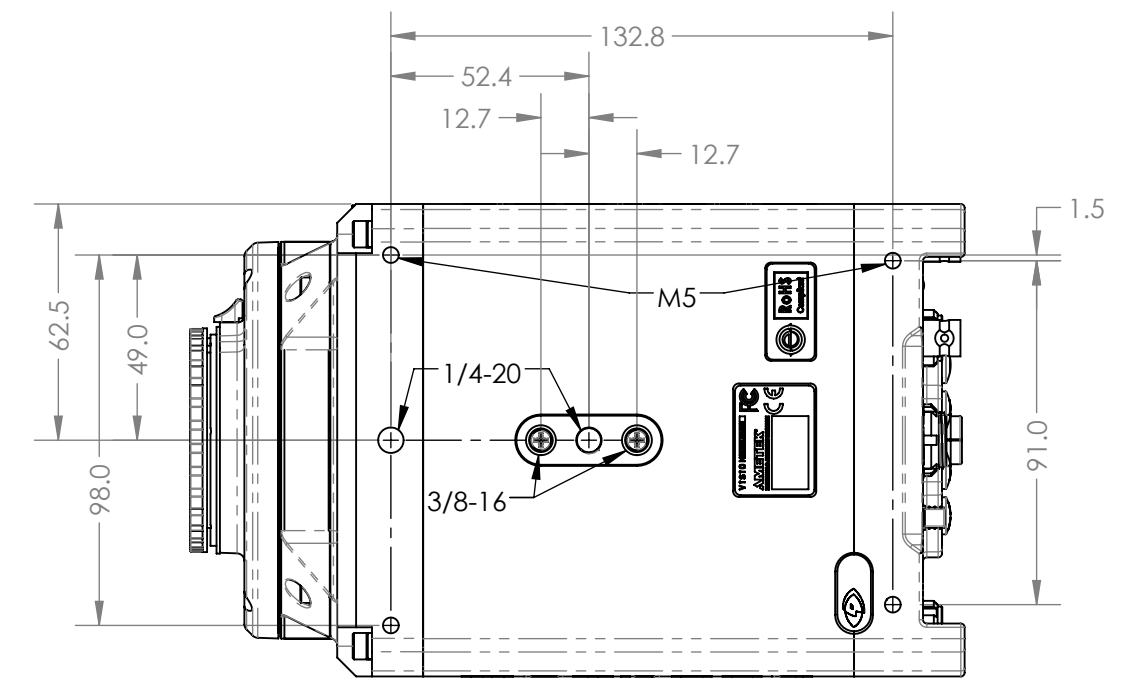
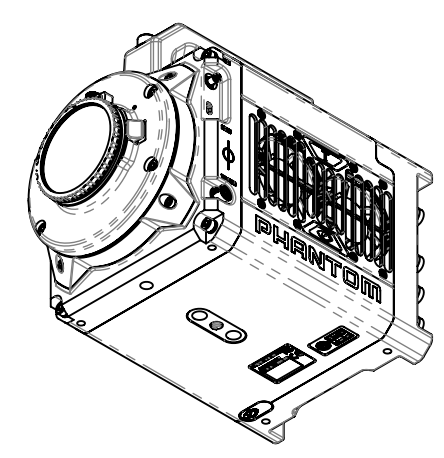
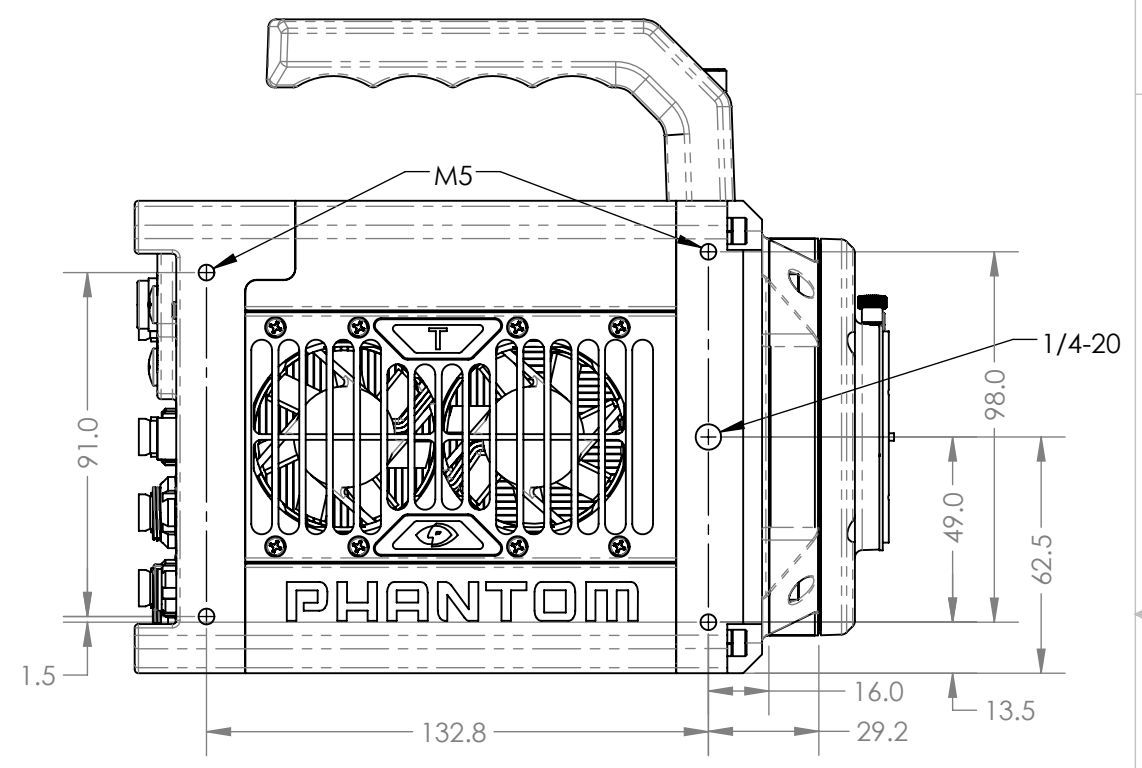
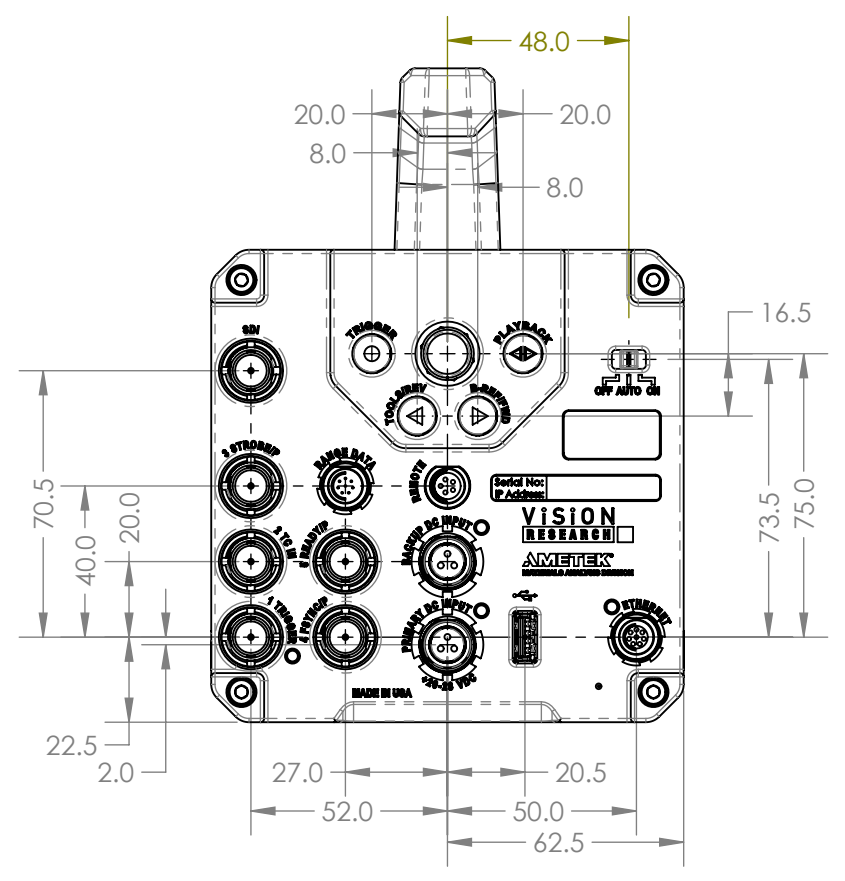
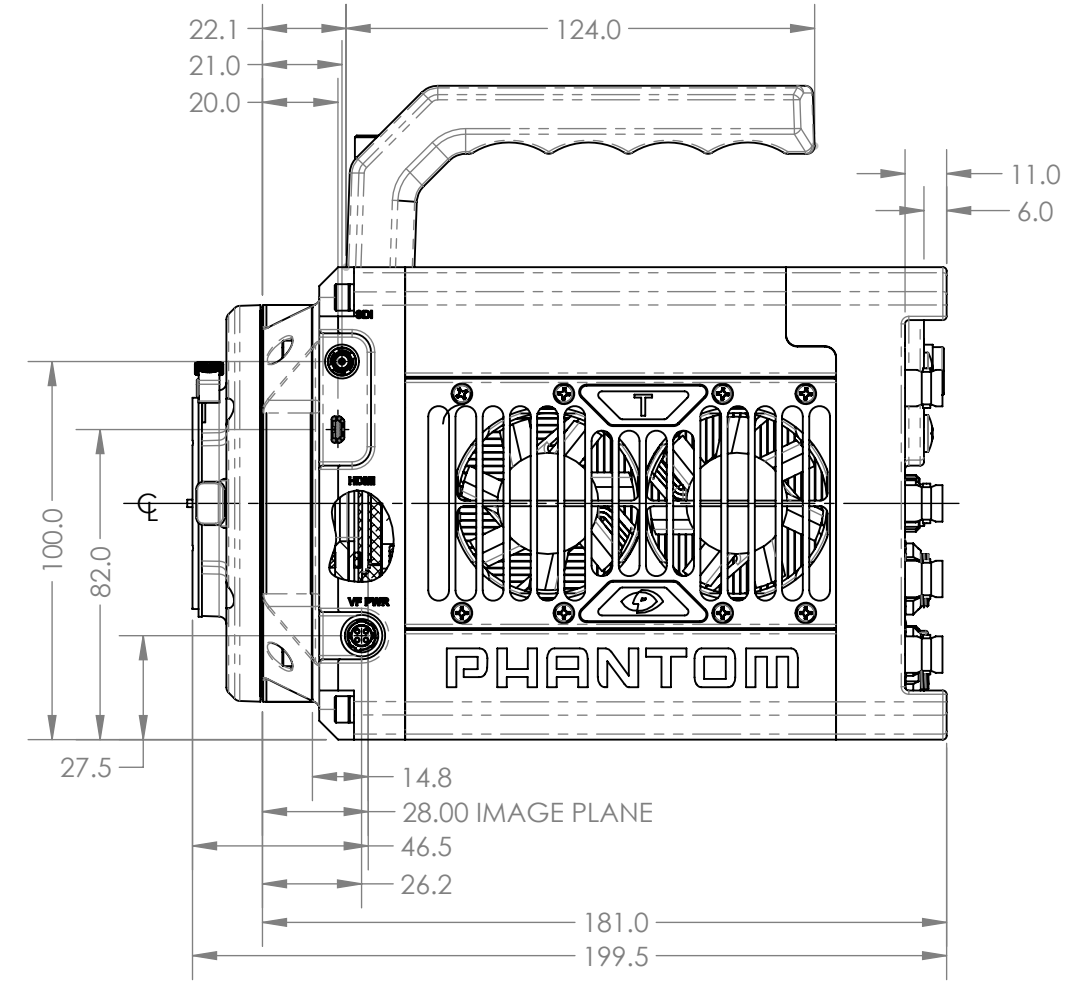
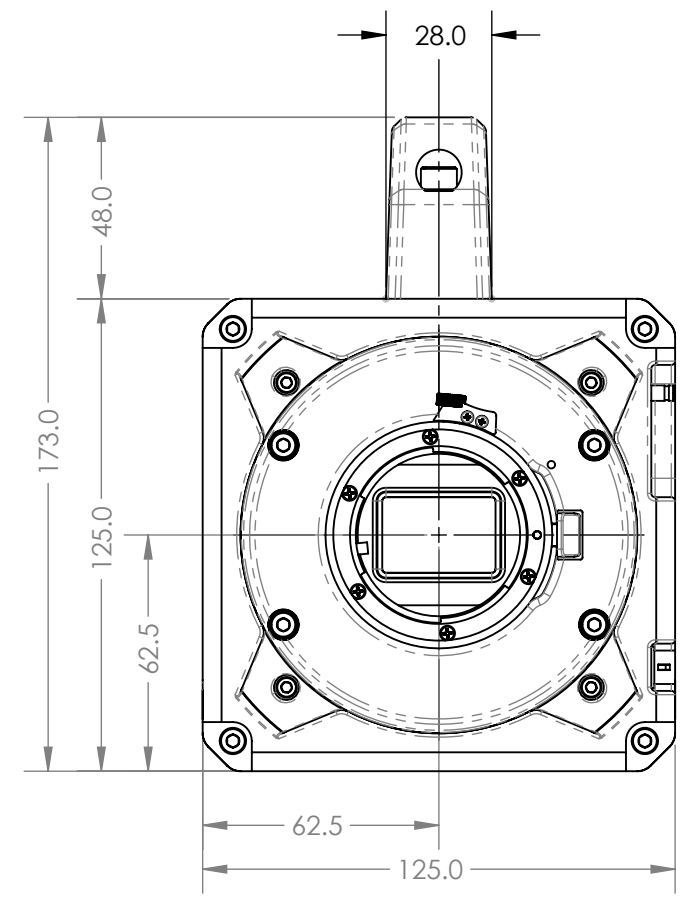
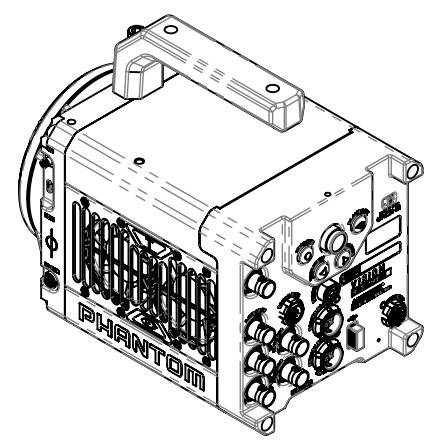
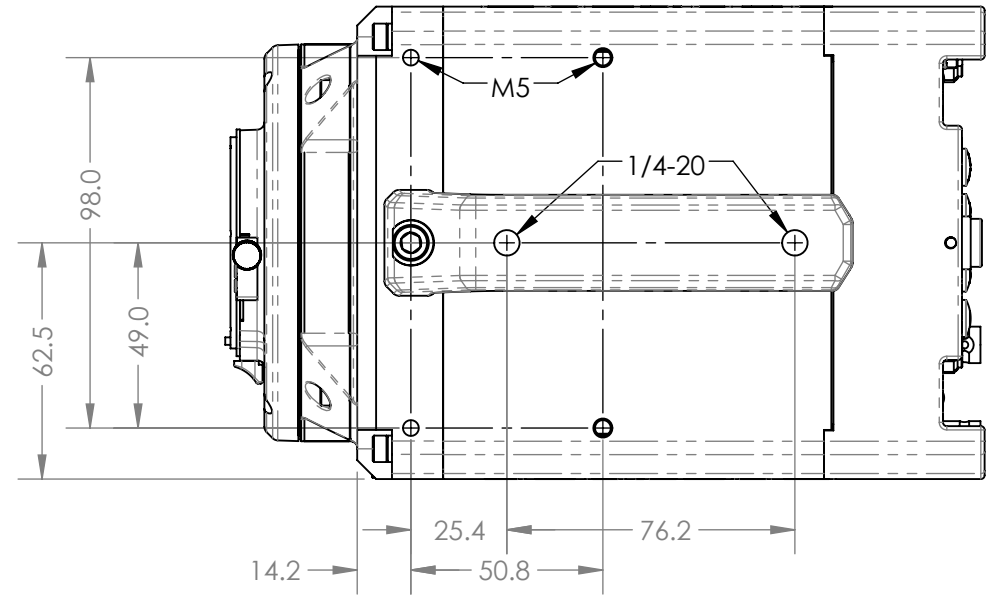
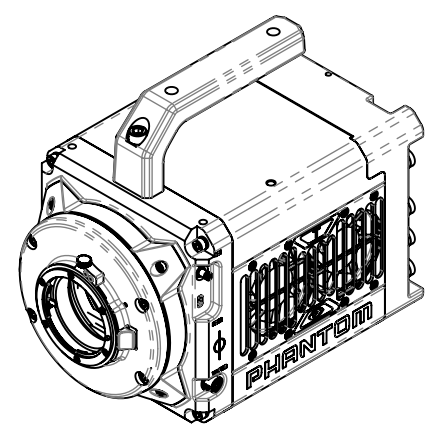


REVISIONS HISTORY			
REV.	DESCRIPTION	DRN BY	APP'D BY
0	INITIAL RELEASE	B.E.	6/22/2021



PROPRIETARY AND CONFIDENTIAL
 THE INFORMATION CONTAINED IN THIS DRAWING IS THE SOLE PROPERTY OF VISION RESEARCH. ANY REPRODUCTION IN PART OR AS A WHOLE WITHOUT THE WRITTEN PERMISSION OF VISION RESEARCH IS PROHIBITED.

UNLESS OTHERWISE SPECIFIED:	NAME	DATE
DIMENSIONS ARE IN MM	B.E.	6/22/2021
TOLERANCES:		
FRACTIONAL ±1/64		
ANGULAR: MACH ±0.5		
ONE PLACE ±0.25		
TWO PLACE ±0.13		
INTERPRET GEOMETRIC TOLERANCING PER:		
MATERIAL		
FINISH		
APPLICATION		

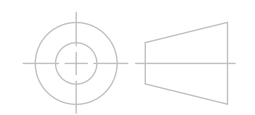
DRAWN	B.E.	6/22/2021
CHECKED		
ENG APPR.		
MFG APPR.		
Q.A.		

VISION RESEARCH
 100 Dey Road
 Wayne, New Jersey 07470 USA
 973-696-4500

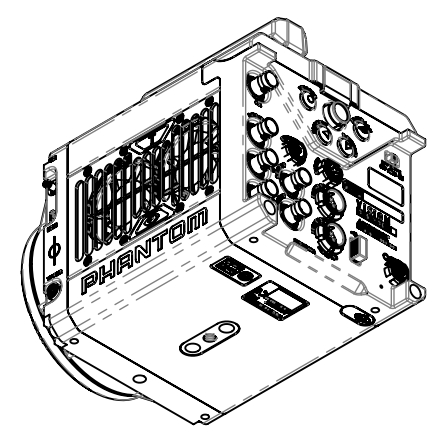
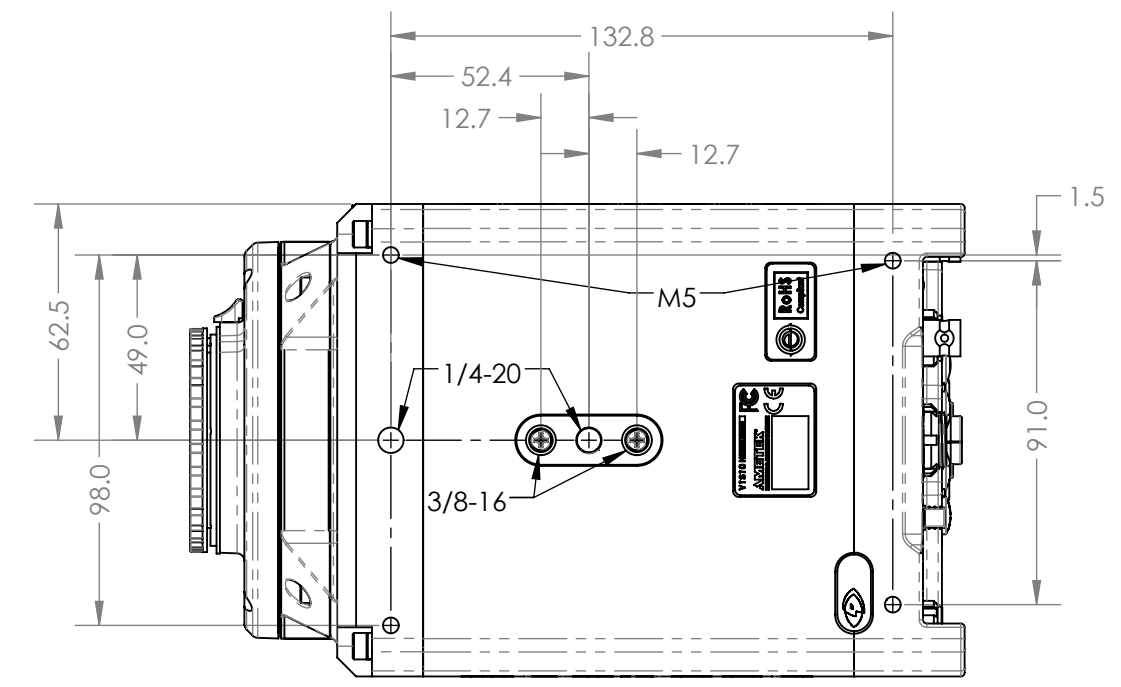
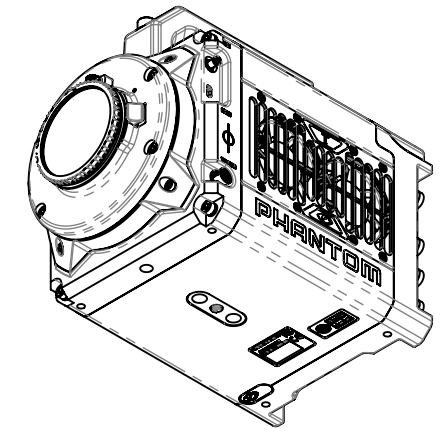
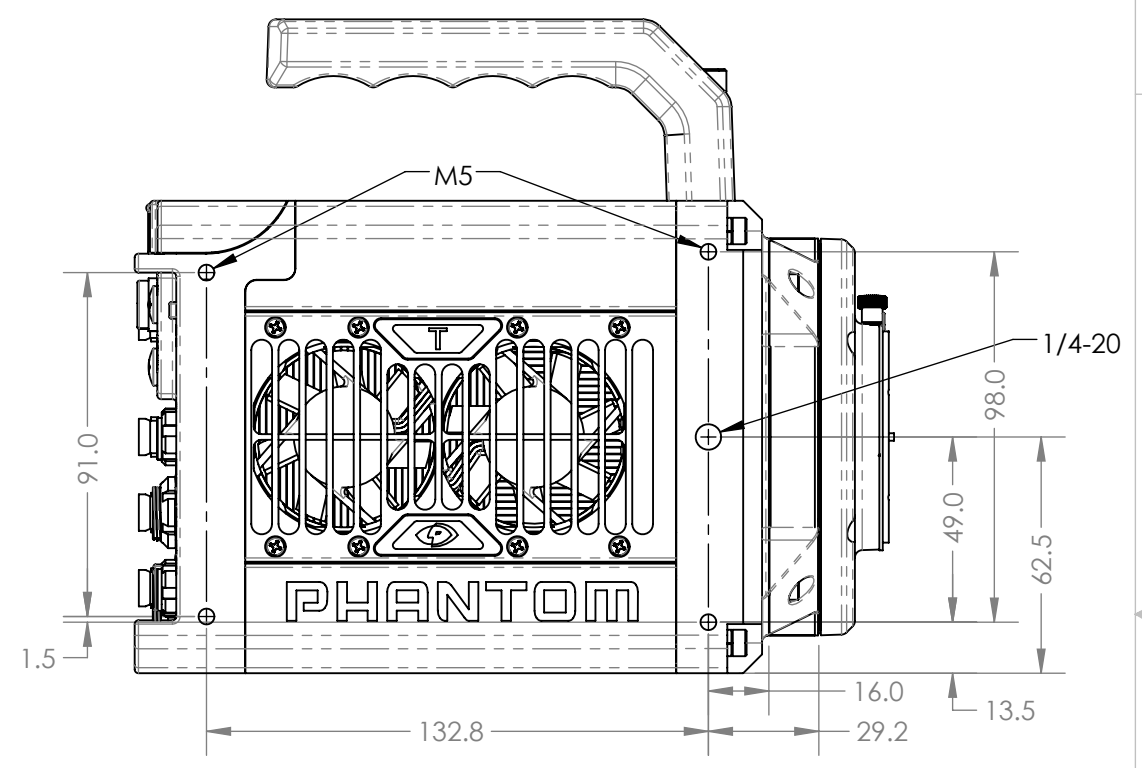
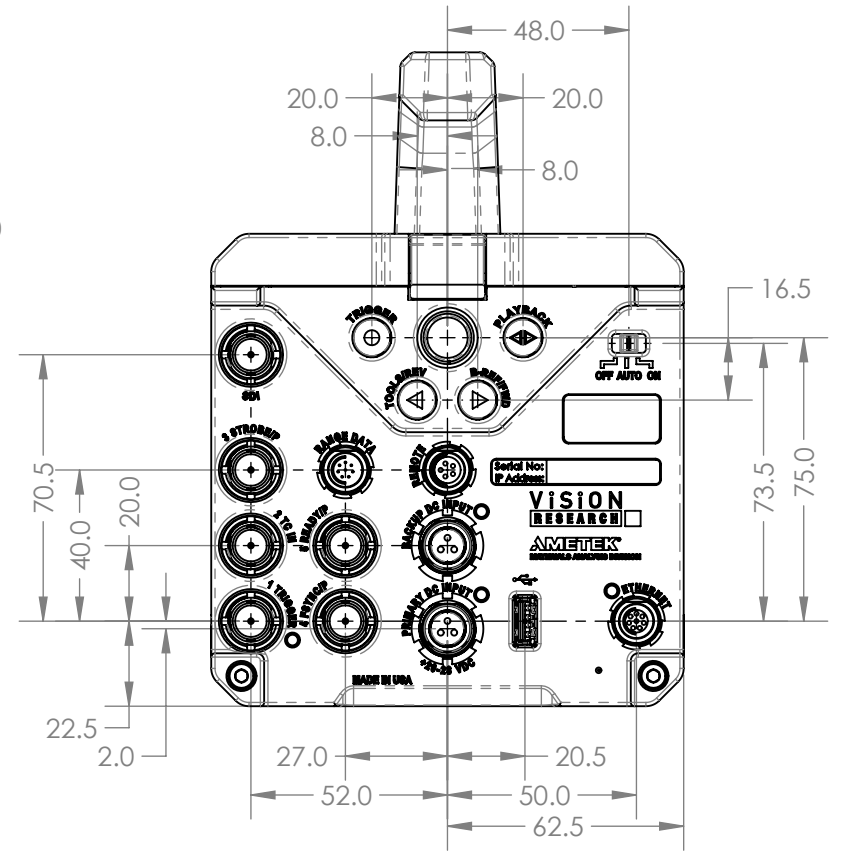
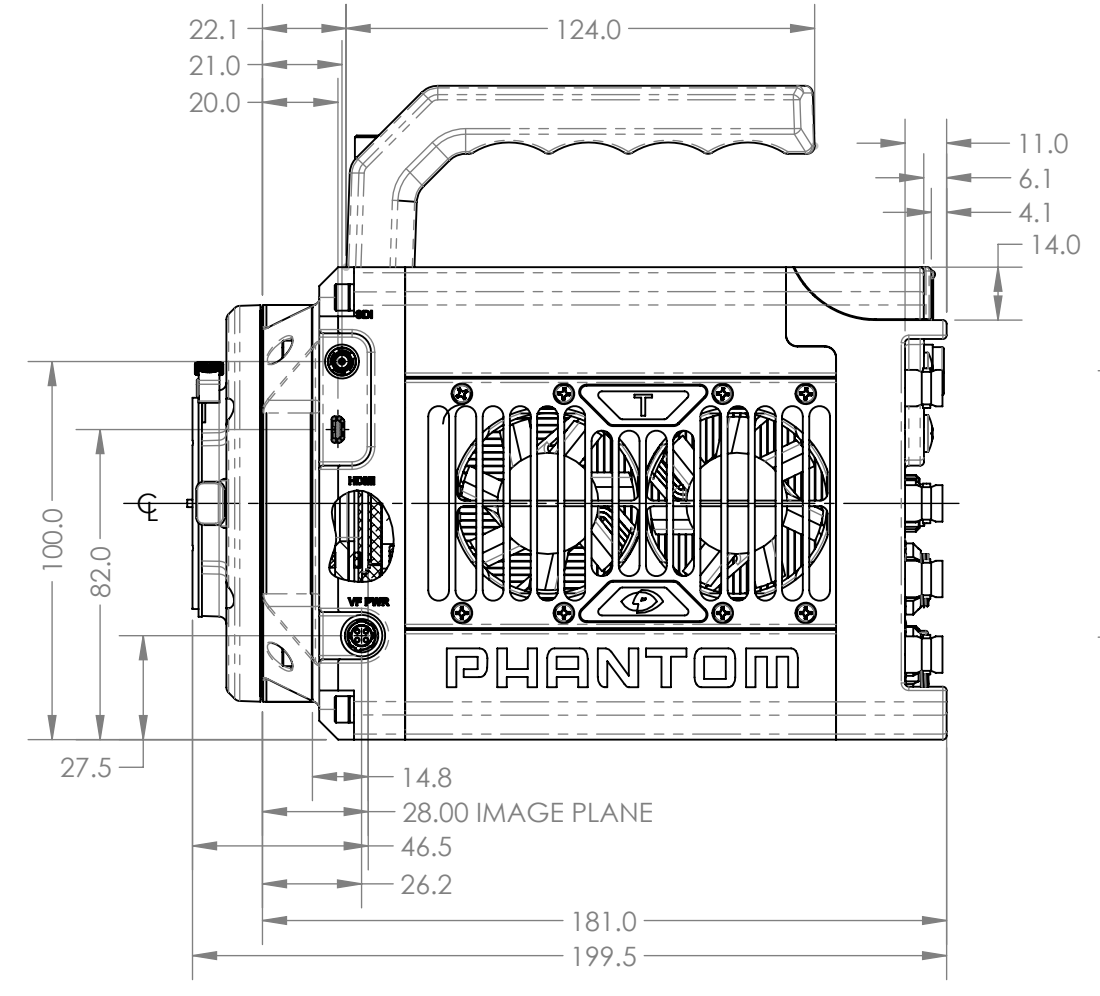
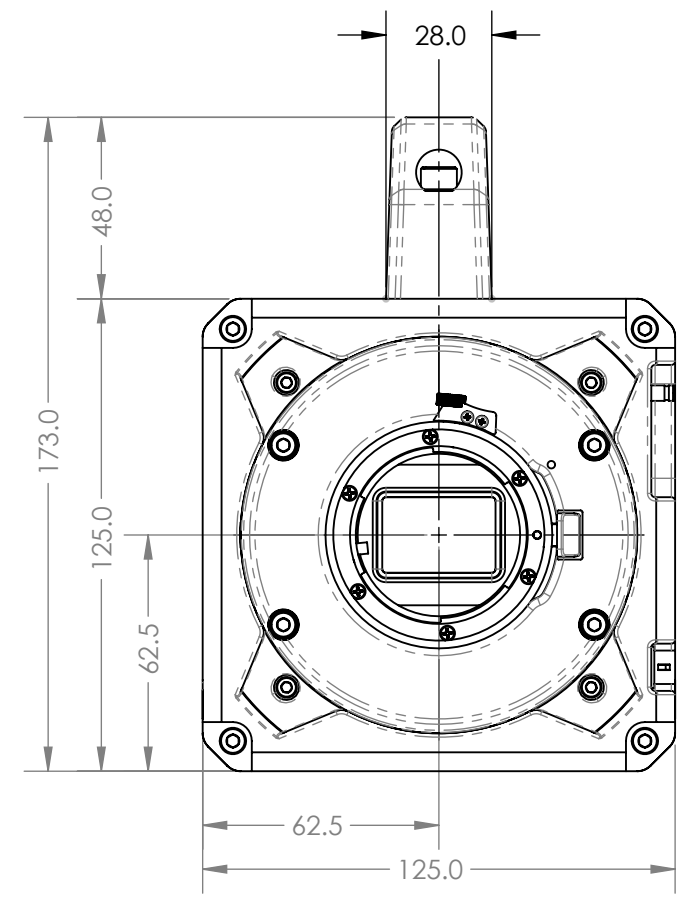
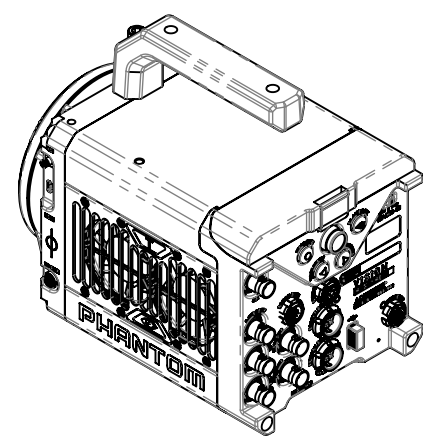
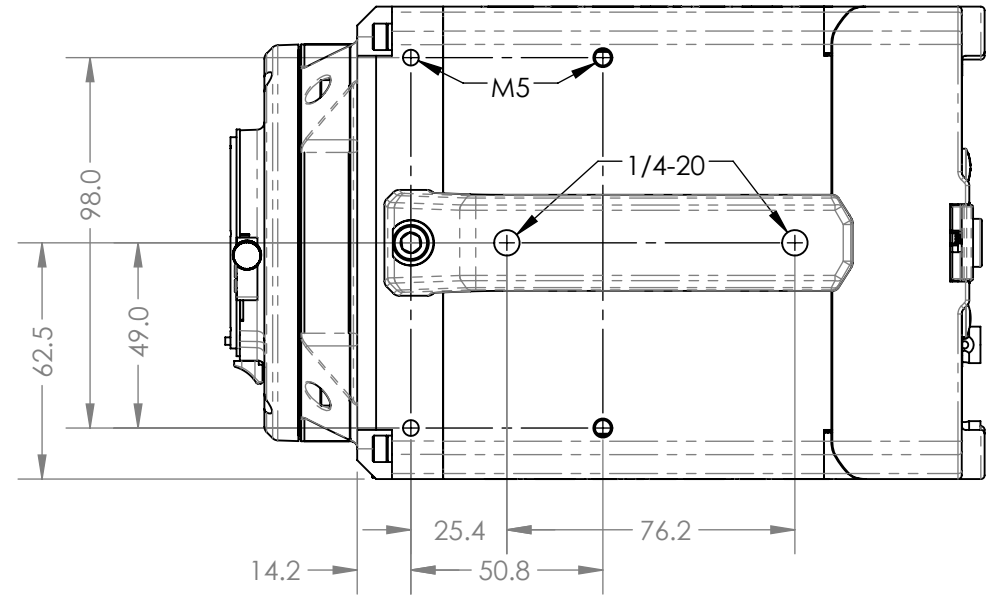
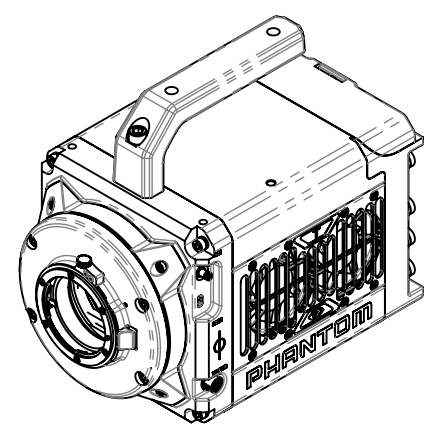
TITLE:
CUSTOMER DRAWING, T3610

SIZE DWG. NO. REV
C ZDOC-64109-CD-0019 0

SCALE 1:1 SHEET 1 OF 1



REVISIONS HISTORY			
REV.	DESCRIPTION	DRN BY	APP'D BY
0	INITIAL RELEASE	B.E.	6/22/2021



PROPRIETARY AND CONFIDENTIAL
 THE INFORMATION CONTAINED IN THIS DRAWING IS THE SOLE PROPERTY OF VISION RESEARCH. ANY REPRODUCTION IN PART OR AS A WHOLE WITHOUT THE WRITTEN PERMISSION OF VISION RESEARCH IS PROHIBITED.

UNLESS OTHERWISE SPECIFIED:		NAME	DATE
DIMENSIONS ARE IN MM		B.E.	6/22/2022
TOLERANCES:			
FRACTIONAL ±1/64			
ANGULAR: MACH ±0.5			
ONE PLACE ±0.25			
TWO PLACE ±0.13			
INTERPRET GEOMETRIC TOLERANCING PER:			
MATERIAL			
FINISH			
DO NOT SCALE DRAWING			

VISION RESEARCH
 100 Dey Road
 Wayne, New Jersey 07470 USA
 973-696-4500

TITLE:
CUSTOMER DRAWING, T3610 WITH CINEMAG

SIZE DWG. NO. REV
C ZDOC-64109-CD-0020 0

SCALE 1:1 SHEET 1 OF 1

T3610	USED ON
NEXT ASSY	APPLICATION

